

120lm

SOLAR LED SECURITY LIGHT • Plastic



Specs:

HI-PERFORMANCE



Packaging:

- Cardbox
 - 1PK = 1x Solar Security Light
 - 1x Solar Panel
 - 6x Screws
 - 6x Plastic screw anchors
- Cable length: 4,80m

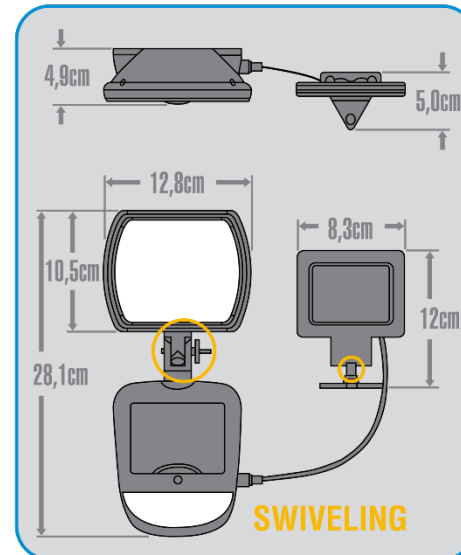


MOTION SENSOR:



Detection angle of the sensor: 180°
Detection range of the sensor: 15m
Beam angle: $\geq 120^\circ$

60 – 300 sec.



FINISH:
White

2x rechargeable,
replaceable,
600 mAh, 1.92Wh, 3.2V
18500 LITHIUM PHOSPHATE BATTERIES incl.

Product:

Art.No.: **SL001BDU**
Descr.: A5Pa-S120-WH-PK1 • 1Pack
EAN (Item) 0 884620 024338 >

Final product and packaging may vary