

5lm

SOLAR LED POSTCAP • Metal & Plastic



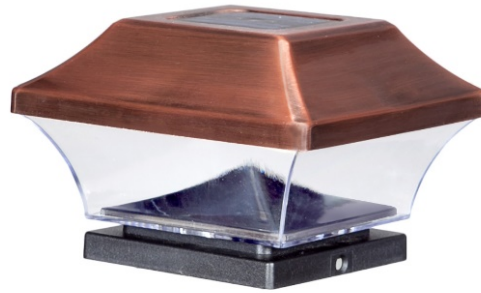
Specs:

STANDARD



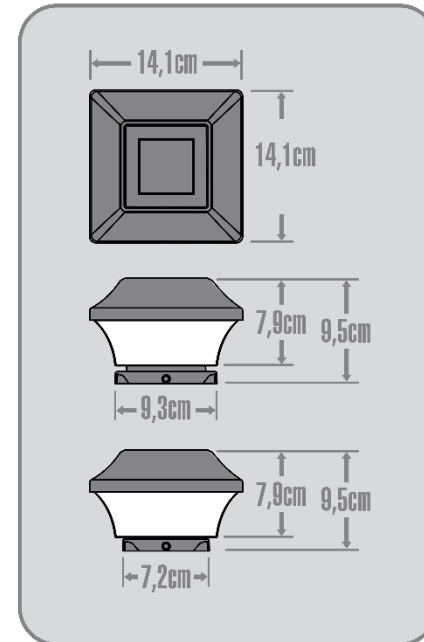
Packaging:

- Cardbox
1PK = 1x Solar Postcap Light per box



FINISH:
Antique Copper

1x rechargeable,
replaceable,
700 mAh, 0.84Wh,
NI-MH AA Battery
incl. per postcap light



Product:

Art.No.: **GL067COPDU**

Descr.: QTP7d-K5-AC-1

EAN (Item)



Final product and packaging may vary