

90lm

## SOLAR LED SECURITY LIGHT • Plastic



### Specs:

HI-PERFORMANCE

#### MODE 1



#### MODE 2



#### MOTION SENSOR:



60 sec.

Detection angle of the sensor: 120°  
Detection range of the sensor: 6m  
Beam angle:  $\geq 120^\circ$

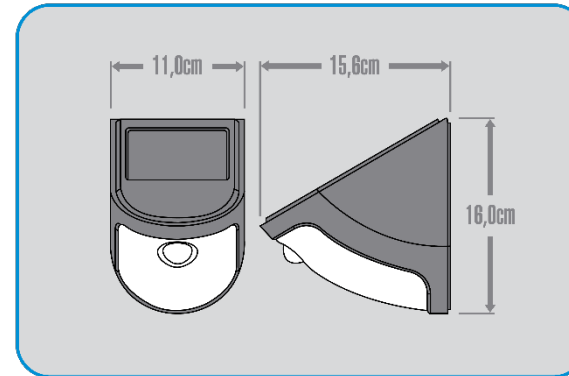
#### Packaging:

- Cardbox with window  
1PK = 1x Solar Security Light  
1x Solar Panel per box



2 options:

- OFF/AUTO (90LM)
- ON (90LM, 2h after fully charged)



### Product:

Art.No.: **GLO20SDU**  
SL19P-S90N-SV-1 • 1Pack

Descr.:  
EAN (Item) 0 884620 029517 >

**FINISH:**  
Silver

**1x rechargeable,  
replaceable,  
1000 mAh, 1.92Wh, 3.2V  
18500 LITHIUM PHOSPHATE BATTERIES  
incl. per Security Light**

Final product and packaging may vary